

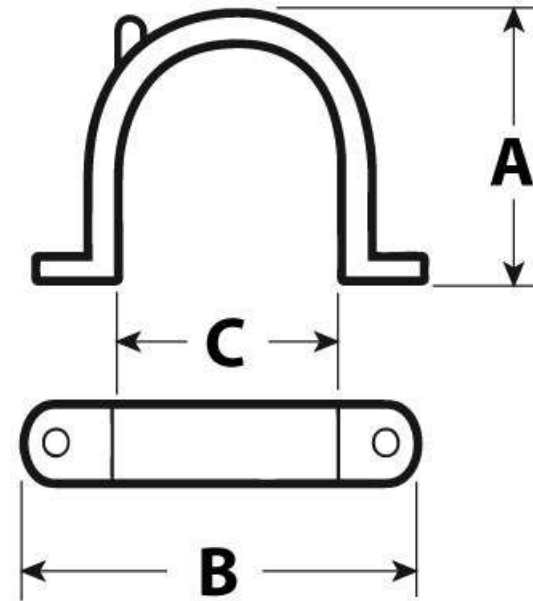


# SUBMITTAL SHEET

Part Description:  
PVC VAC PIPE STRAP WHITE

Part Number:  
765545W

Approvals and Listings maintained by:  
**Canplas Industries Ltd**  
Canada: 1-800-461-5300 USA: 1-888-461-5307



Part #	Part UPC	Ctn Qty	Ctn Bar Code	Ctn Wt (Kgs)	Ctn Wt (lbs)	Skid Cubic (m)	Skid Cubic (ft)	Ctns/Skid
765545W	662671760753	300	10662671760750	4.38	9.66	1.77	62.45	72

**Dimensions (Inches)**

A	B	C
2.20	3.44	2.00

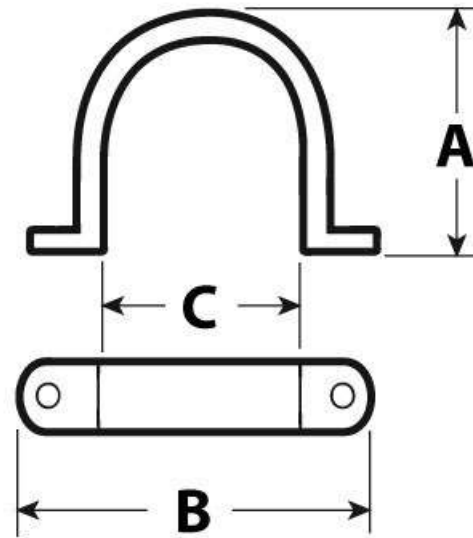


# SUBMITTAL SHEET

Part Description:  
PVC VAC WHT 2" HUB STRAP

Part Number:  
765548W

Approvals and Listings maintained by:  
**Canplas Industries Ltd**  
Canada: 1-800-461-5300 USA: 1-888-461-5307



Part #	Part UPC	Size (Inches)	Ctn Qty	Ctn Bar Code	Ctn Wt (Kgs)	Ctn Wt (lbs)	Skid Cubic (m)	Skid Cubic (ft)	Ctns/Skid
765548W	662671762528	2	250	10662671762525	5.23	11.52	1.77	62.45	72

**Dimensions (Inches)**

A	B	C
2.56	3.77	2.32

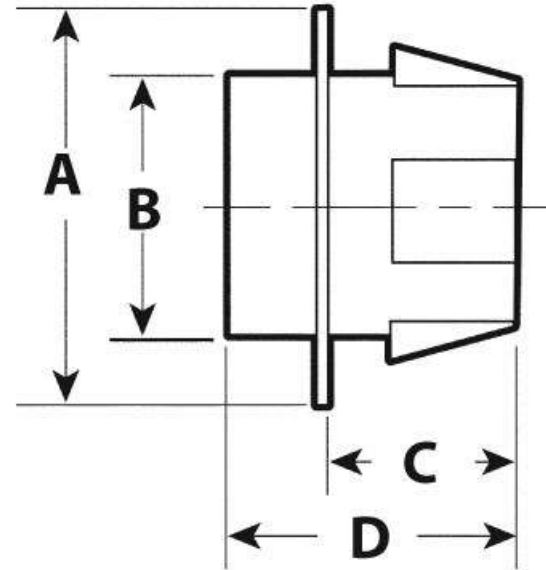


# SUBMITTAL SHEET

Part Description:  
PVC VAC BAG ADAPTOR WHITE

Part Number:  
765542W

Approvals and Listings maintained by:  
**Canplas Industries Ltd**  
Canada: 1-800-461-5300 USA: 1-888-461-5307



Part #	Part UPC	Ctn Qty	Ctn Bar Code	Ctn Wt (Kgs)	Ctn Wt (lbs)	Skid Cubic (m)	Skid Cubic (ft)	Ctns/Skid
765542W	662671760739	75	10662671760736	4.77	10.52	1.77	62.45	48

**Dimensions (Inches)**

A	B	C	D
3.30	2.00	1.68	2.58

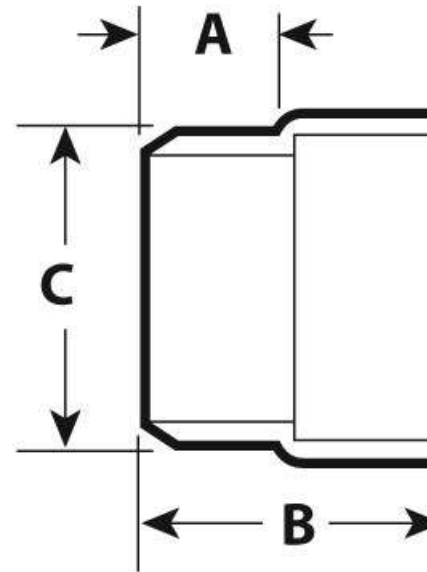


# SUBMITTAL SHEET

Part Description:  
PVC VAC WHT INLET EXT

Part Number:  
765541W

Approvals and Listings maintained by:  
**Canplas Industries Ltd**  
Canada: 1-800-461-5300 USA: 1-888-461-5307



Part #	Part UPC	Ctn Qty	Ctn Bar Code	Ctn Wt (Kgs)	Ctn Wt (lbs)	Skid Cubic (m)	Skid Cubic (ft)	Ctns/Skid
765541W	662671762221	100	10662671762228	2.03	4.48	1.77	62.45	144

**Dimensions (Inches)**

A	B	C
0.75	1.68	1.63

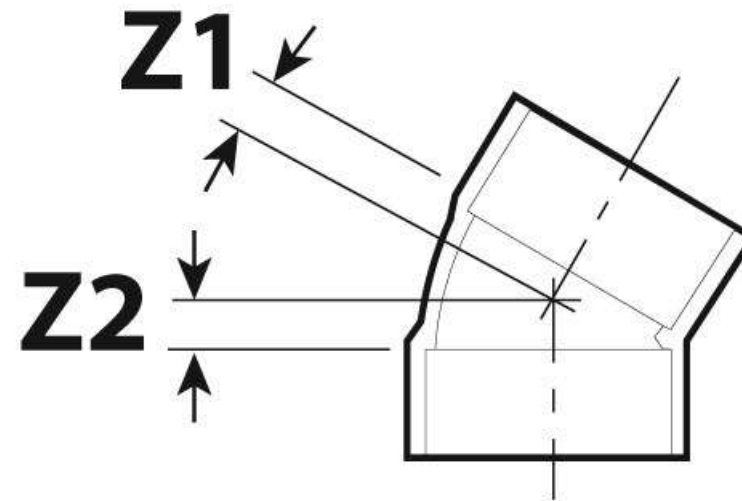


# SUBMITTAL SHEET

Part Description:  
PVC VAC 2 30DEG ELL WHITE

Part Number:  
765519W

Approvals and Listings maintained by:  
**Canplas Industries Ltd**  
Canada: 1-800-461-5300 USA: 1-888-461-5307



Part #	Part UPC	Size (Inches)	Ctn Qty	Ctn Bar Code	Ctn Wt (Kgs)	Ctn Wt (lbs)	Skid Cubic (m)	Skid Cubic (ft)	Ctns/Skid
765519W	662671760555	2	75	10662671760552	2.88	6.35	1.77	62.45	72

**Dimensions (Inches)**

Z1	Z2
0.25	0.31

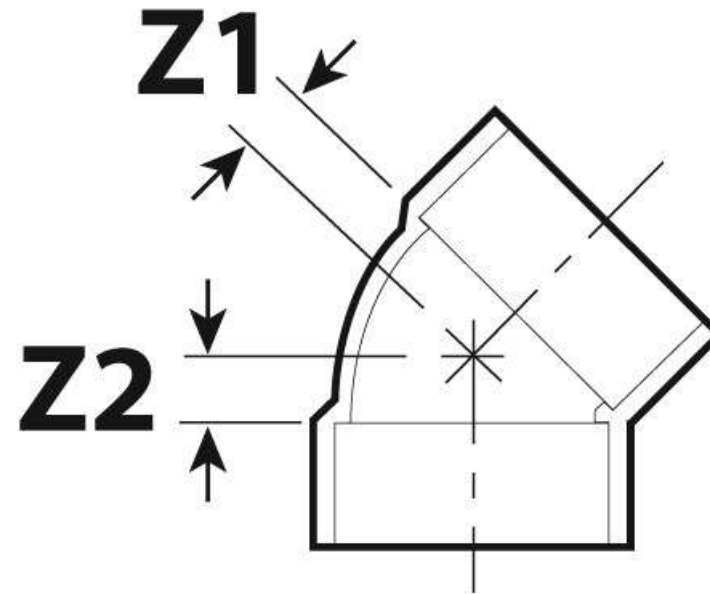


# SUBMITTAL SHEET

Part Description:  
PVC VAC 2 45DEG ELL WHITE

Part Number:  
765517W

Approvals and Listings maintained by:  
**Canplas Industries Ltd**  
Canada: 1-800-461-5300 USA: 1-888-461-5307



Part #	Part UPC	Size (Inches)	Ctn Qty	Ctn Bar Code	Ctn Wt (Kgs)	Ctn Wt (lbs)	Skid Cubic (m)	Skid Cubic (ft)	Ctns/Skid
765517W	662671760470	2	80	10662671760477	3.52	7.76	1.77	62.45	72

**Dimensions (Inches)**

Z1	Z2
0.50	0.48

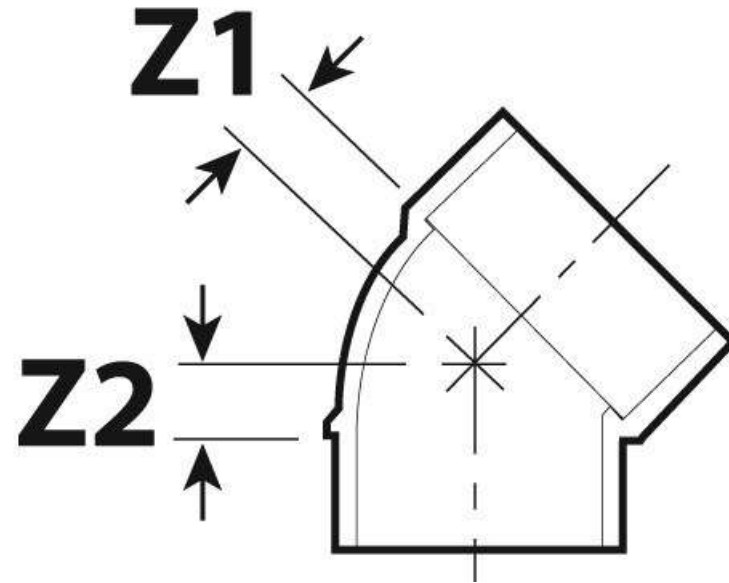


# SUBMITTAL SHEET

Part Description:  
PVC VAC 2 45DEG ELL

Part Number:  
765518W

Approvals and Listings maintained by:  
**Canplas Industries Ltd**  
Canada: 1-800-461-5300 USA: 1-888-461-5307



Part #	Part UPC	Size (Inches)	Ctn Qty	Ctn Bar Code	Ctn Wt (Kgs)	Ctn Wt (lbs)	Skid Cubic (m)	Skid Cubic (ft)	Ctns/Skid
765518W	662671760531	2	80	10662671760538	3.20	7.05	1.77	62.45	72

**Dimensions (Inches)**

Z1	Z2
0.49	0.48

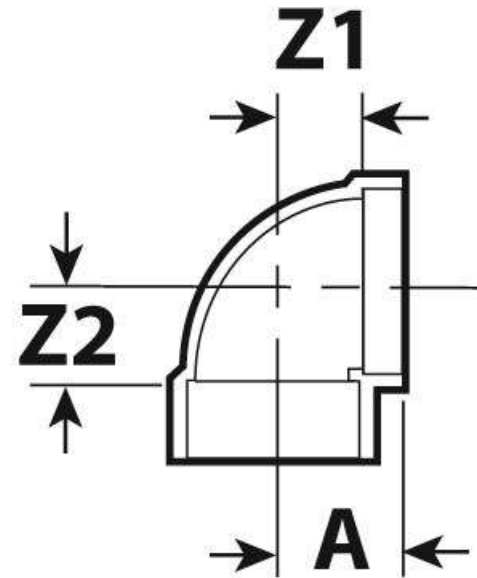


**SUBMITTAL SHEET**

Part Description:  
PVC VAC 2"90 SHORT SOC

Part Number:  
765504W

Approvals and Listings maintained by:  
**Canplas Industries Ltd**  
Canada: 1-800-461-5300 USA: 1-888-461-5307



Part #	Part UPC	Size (Inches)	Ctn Qty	Ctn Bar Code	Ctn Wt (Kgs)	Ctn Wt (lbs)	Skid Cubic (m)	Skid Cubic (ft)	Ctns/Skid
765504W	662671762184	2	100	10662671762181	4.67	10.30	1.77	62.45	48

**Dimensions (Inches)**

A	Z1	Z2
1.31	0.97	1.14



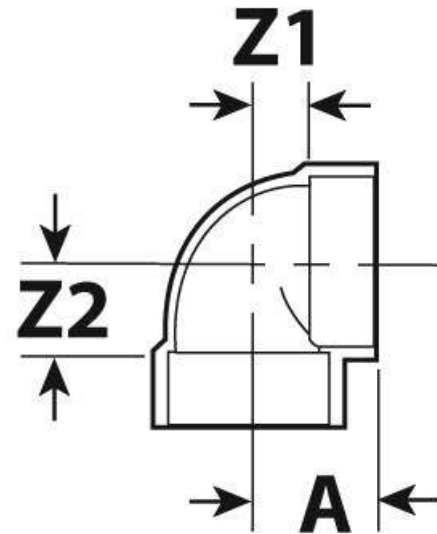


**SUBMITTAL SHEET**

Part Description:  
PVC VAC 2X3 2X4 SHORT

Part Number:  
765503W

Approvals and Listings maintained by:  
**Canplas Industries Ltd**  
Canada: 1-800-461-5300 USA: 1-888-461-5307



Part #	Part UPC	Size (Inches)	Ctn Qty	Ctn Bar Code	Ctn Wt (Kgs)	Ctn Wt (lbs)	Skid Cubic (m)	Skid Cubic (ft)	Ctns/Skid
765503W	662671762887	2	125	10662671762884	6.57	14.48	1.77	62.45	48
<b>Dimensions (Inches)</b>									
A	Z1	Z2							
1.38	0.75	1.01							

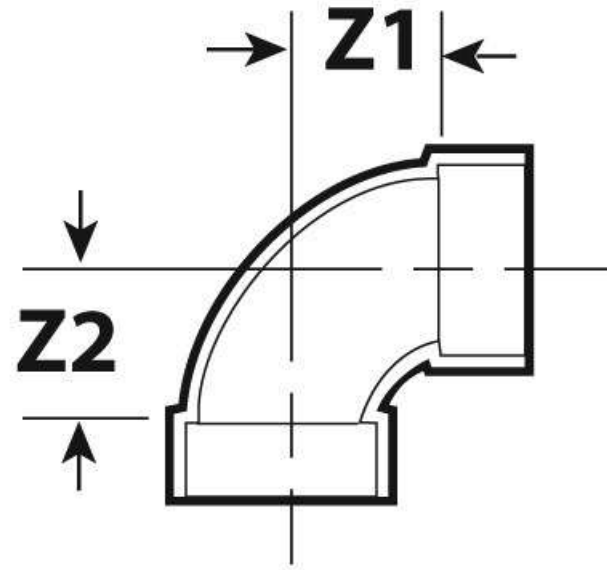


# SUBMITTAL SHEET

Part Description:  
PVC VAC 2 90DEG MEDIUM

Part Number:  
765508W

Approvals and Listings maintained by:  
**Canplas Industries Ltd**  
Canada: 1-800-461-5300 USA: 1-888-461-5307



Part #	Part UPC	Size (Inches)	Ctn Qty	Ctn Bar Code	Ctn Wt (Kgs)	Ctn Wt (lbs)	Skid Cubic (m)	Skid Cubic (ft)	Ctns/Skid
765508W	662671760241	2	80	10662671760248	5.21	11.49	1.77	62.45	48

**Dimensions (Inches)**

Z1	Z2
1.49	1.50

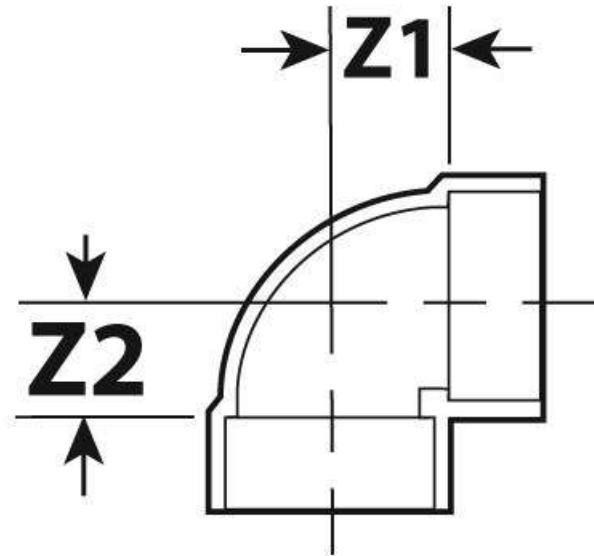


# SUBMITTAL SHEET

Part Description:  
PVC VAC 90DEG SHORT ELL

Part Number:  
765506W

Approvals and Listings maintained by:  
**Canplas Industries Ltd**  
Canada: 1-800-461-5300 USA: 1-888-461-5307



Part #	Part UPC	Ctn Qty	Ctn Bar Code	Ctn Wt (Kgs)	Ctn Wt (lbs)	Skid Cubic (m)	Skid Cubic (ft)	Ctns/Skid
765506W	662671760197	90	10662671760194	4.89	10.78	1.77	62.45	48

**Dimensions (Inches)**

Z1	Z2
1.04	1.06

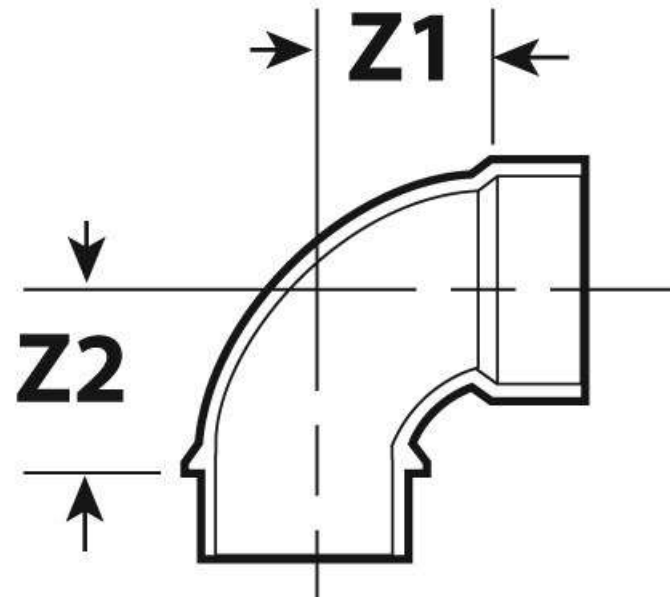


**SUBMITTAL SHEET**

Part Description:  
PVC VAC 2 90ELLSPGT

Part Number:  
765509W

Approvals and Listings maintained by:  
**Canplas Industries Ltd**  
Canada: 1-800-461-5300 USA: 1-888-461-5307



Part #	Part UPC	Size (Inches)	Ctn Qty	Ctn Bar Code	Ctn Wt (Kgs)	Ctn Wt (lbs)	Skid Cubic (m)	Skid Cubic (ft)	Ctns/Skid
765509W	662671760272	2	50	10662671760279	3.13	6.90	1.77	62.45	72

**Dimensions (Inches)**

Z1	Z2
1.51	1.53

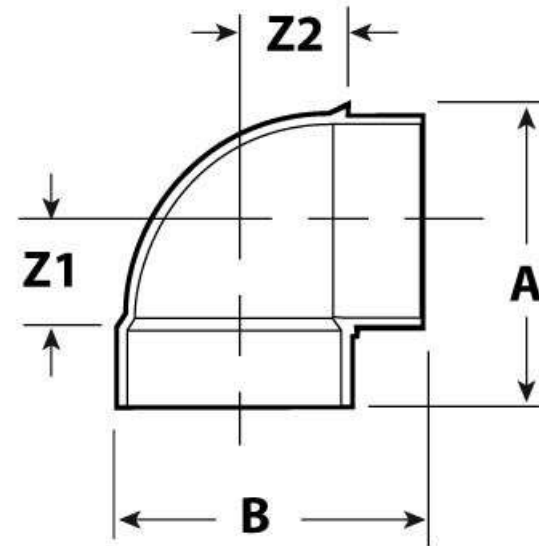


# SUBMITTAL SHEET

Part Description:  
PVC VAC 90 DEG SHORT EL

Part Number:  
765507W

Approvals and Listings maintained by:  
**Canplas Industries Ltd**  
Canada: 1-800-461-5300 USA: 1-888-461-5307



Part #	Part UPC	Ctn Qty	Ctn Bar Code	Ctn Wt (Kgs)	Ctn Wt (lbs)	Skid Cubic (m)	Skid Cubic (ft)	Ctns/Skid
765507W	662671762757	90	10662671762754	4.53	9.99	1.77	62.45	48

**Dimensions (Inches)**

Z1	Z2
1.07	1.14

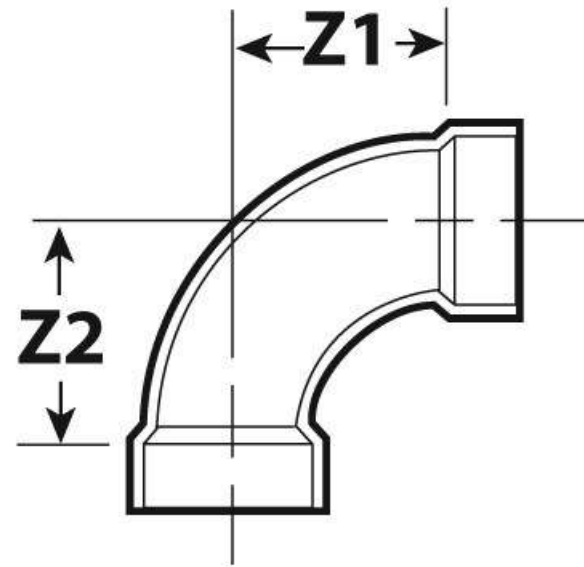


# SUBMITTAL SHEET

Part Description:  
PVC VAC 90DEG SWEEP ELL

Part Number:  
765510W

Approvals and Listings maintained by:  
**Canplas Industries Ltd**  
Canada: 1-800-461-5300 USA: 1-888-461-5307



Part #	Part UPC	Ctn Qty	Ctn Bar Code	Ctn Wt (Kgs)	Ctn Wt (lbs)	Skid Cubic (m)	Skid Cubic (ft)	Ctns/Skid
765510W	662671760333	75	10662671760330	6.25	13.78	1.77	62.45	32
<b>Dimensions (Inches)</b>								
Z1	Z2							
2.43	2.43							

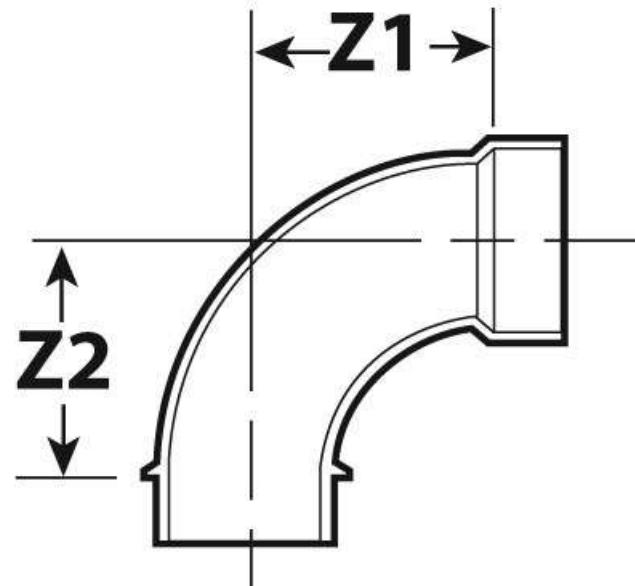


# SUBMITTAL SHEET

Part Description:  
PVC VAC 90DEG ELL SPG

Part Number:  
765511W

Approvals and Listings maintained by:  
**Canplas Industries Ltd**  
Canada: 1-800-461-5300 USA: 1-888-461-5307



Part #	Part UPC	Ctn Qty	Ctn Bar Code	Ctn Wt (Kgs)	Ctn Wt (lbs)	Skid Cubic (m)	Skid Cubic (ft)	Ctns/Skid
765511W	662671760371	50	10662671760378	4.02	8.86	1.77	62.45	48

**Dimensions (Inches)**

Z1	Z2
2.44	2.42

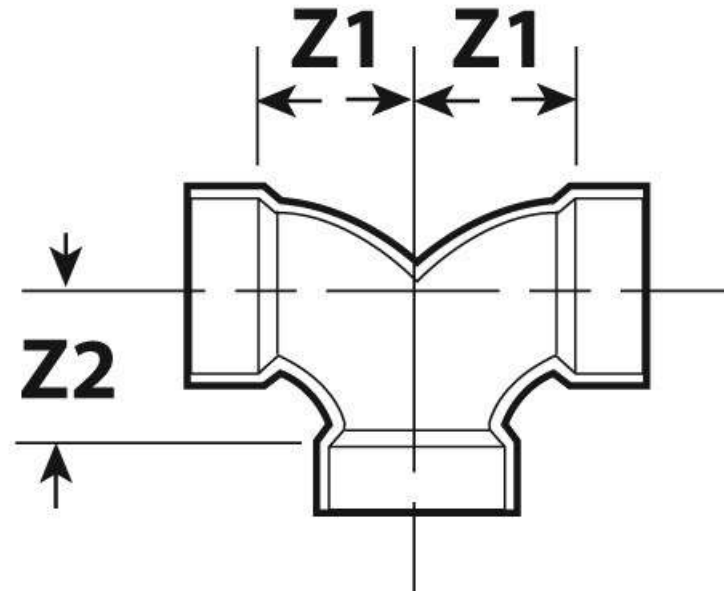


# SUBMITTAL SHEET

Part Description:  
PVC VAC 3 WAY ELL WHITE

Part Number:  
765515W

Approvals and Listings maintained by:  
**Canplas Industries Ltd**  
Canada: 1-800-461-5300 USA: 1-888-461-5307



Part #	Part UPC	Size (Inches)	Ctn Qty	Ctn Bar Code	Ctn Wt (Kgs)	Ctn Wt (lbs)	Skid Cubic (m)	Skid Cubic (ft)	Ctns/Skid
765515W	662671760395	3	50	10662671760392	5.83	12.85	1.77	62.45	32

**Dimensions (Inches)**

Z2  
2.02



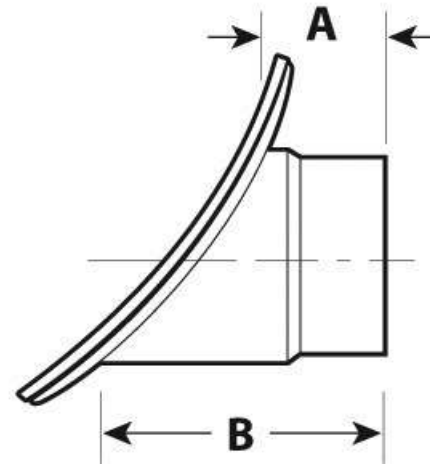


**SUBMITTAL SHEET**

Part Description:  
PVC VAC CANNISTER WHITE

Part Number:  
765597W

Approvals and Listings maintained by:  
**Canplas Industries Ltd**  
Canada: 1-800-461-5300 USA: 1-888-461-5307



Part #	Part UPC	Ctn Qty	Ctn Bar Code	Ctn Wt (Kgs)	Ctn Wt (lbs)	Skid Cubic (m)	Skid Cubic (ft)	Ctns/Skid
765597W	662671761132	100	10662671761139	7.18	15.83	1.77	62.45	32

**Dimensions (Inches)**

A	B	C
3.81	2.67	1.29

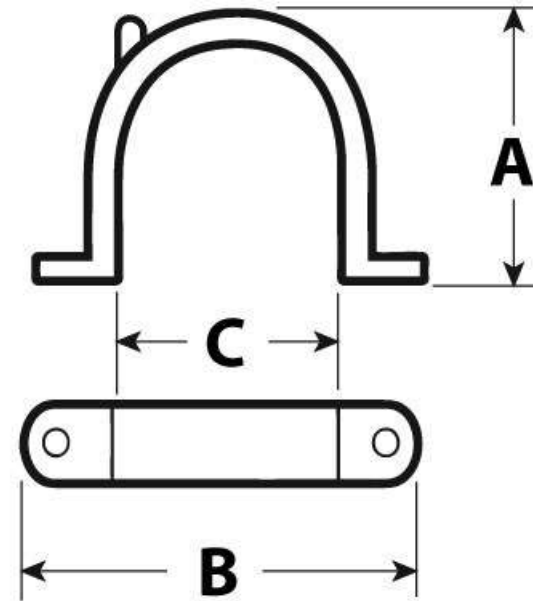


# SUBMITTAL SHEET

Part Description:  
PVC VAC PIPE STRAP WHITE

Part Number:  
765545W

Approvals and Listings maintained by:  
**Canplas Industries Ltd**  
Canada: 1-800-461-5300 USA: 1-888-461-5307



Part #	Part UPC	Ctn Qty	Ctn Bar Code	Ctn Wt (Kgs)	Ctn Wt (lbs)	Skid Cubic (m)	Skid Cubic (ft)	Ctns/Skid
765545W	662671760753	300	10662671760750	4.38	9.66	1.77	62.45	72

**Dimensions (Inches)**

A	B	C
2.20	3.44	2.00

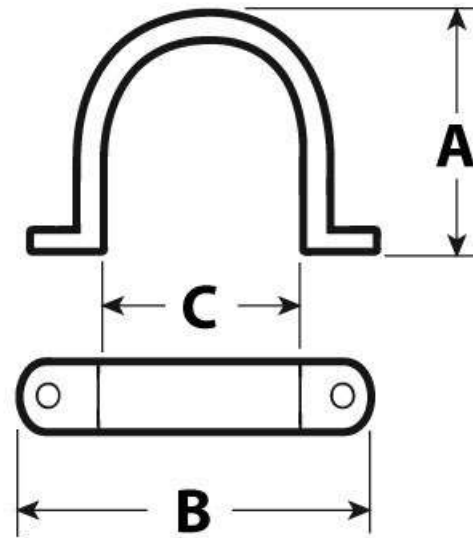


# SUBMITTAL SHEET

Part Description:  
PVC VAC WHT 2" HUB STRAP

Part Number:  
765548W

Approvals and Listings maintained by:  
**Canplas Industries Ltd**  
Canada: 1-800-461-5300 USA: 1-888-461-5307



Part #	Part UPC	Size (Inches)	Ctn Qty	Ctn Bar Code	Ctn Wt (Kgs)	Ctn Wt (lbs)	Skid Cubic (m)	Skid Cubic (ft)	Ctns/Skid
765548W	662671762528	2	250	10662671762525	5.23	11.52	1.77	62.45	72

**Dimensions (Inches)**

A	B	C
2.56	3.77	2.32

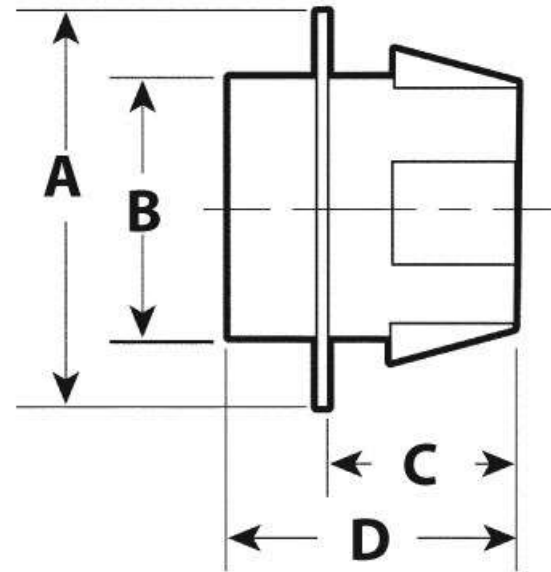


# SUBMITTAL SHEET

Part Description:  
PVC VAC BAG ADAPTOR WHITE

Part Number:  
765542W

Approvals and Listings maintained by:  
**Canplas Industries Ltd**  
Canada: 1-800-461-5300 USA: 1-888-461-5307



Part #	Part UPC	Ctn Qty	Ctn Bar Code	Ctn Wt (Kgs)	Ctn Wt (lbs)	Skid Cubic (m)	Skid Cubic (ft)	Ctns/Skid
765542W	662671760739	75	10662671760736	4.77	10.52	1.77	62.45	48

**Dimensions (Inches)**

A	B	C	D
3.30	2.00	1.68	2.58

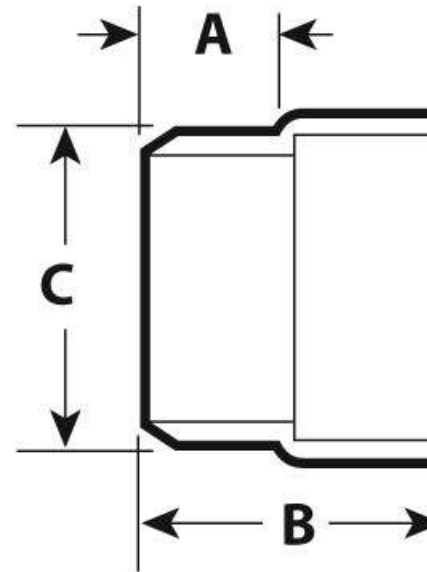


# SUBMITTAL SHEET

Part Description:  
PVC VAC WHT INLET EXT

Part Number:  
765541W

Approvals and Listings maintained by:  
**Canplas Industries Ltd**  
Canada: 1-800-461-5300 USA: 1-888-461-5307



Part #	Part UPC	Ctn Qty	Ctn Bar Code	Ctn Wt (Kgs)	Ctn Wt (lbs)	Skid Cubic (m)	Skid Cubic (ft)	Ctns/Skid
765541W	662671762221	100	10662671762228	2.03	4.48	1.77	62.45	144

**Dimensions (Inches)**

A	B	C
0.75	1.68	1.63

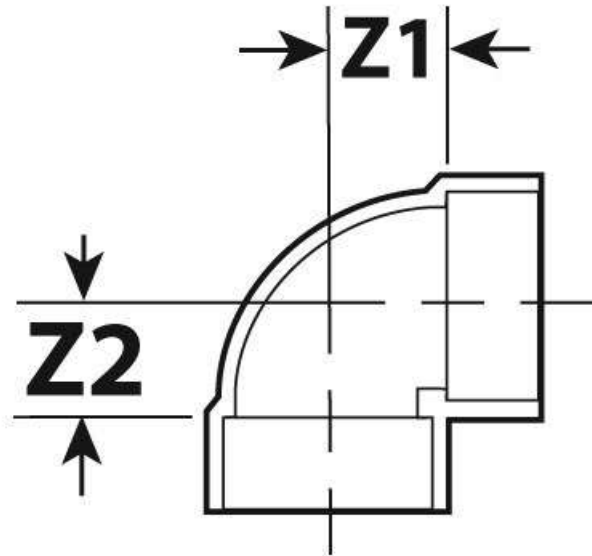


# SUBMITTAL SHEET

Part Description:  
PVC VAC 90DEG SHORT ELL

Part Number:  
765506W

Approvals and Listings maintained by:  
**Canplas Industries Ltd**  
Canada: 1-800-461-5300 USA: 1-888-461-5307



Part #	Part UPC	Ctn Qty	Ctn Bar Code	Ctn Wt (Kgs)	Ctn Wt (lbs)	Skid Cubic (m)	Skid Cubic (ft)	Ctns/Skid
765506W	662671760197	90	10662671760194	4.89	10.78	1.77	62.45	48

**Dimensions (Inches)**

Z1	Z2
1.04	1.06

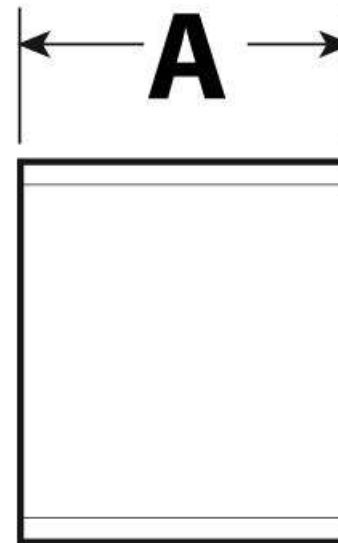


**SUBMITTAL SHEET**

Part Description:  
PVC VAC 2 SLIP COUPLING

Part Number:  
765528W

Approvals and Listings maintained by:  
**Canplas Industries Ltd**  
Canada: 1-800-461-5300 USA: 1-888-461-5307



Part #	Part UPC	Size (Inches)	Ctn Qty	Ctn Bar Code	Ctn Wt (Kgs)	Ctn Wt (lbs)	Skid Cubic (m)	Skid Cubic (ft)	Ctns/Skid
765528W	662671762269	2	175	10662671762266	4.42	9.74	1.77	62.45	48

**Dimensions (Inches)**

A  
1.57



**SUBMITTAL SHEET**

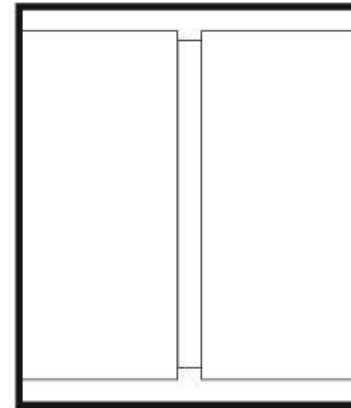
Part Description:  
PVC VAC 2 COUPLING WHITE

Part Number:  
765529W

Approvals and Listings maintained by:  
**Canplas Industries Ltd**  
Canada: 1-800-461-5300 USA: 1-888-461-5307



**Z1**  
→ | ←



Part #	Part UPC	Size (Inches)	Ctn Qty	Ctn Bar Code	Ctn Wt (Kgs)	Ctn Wt (lbs)	Skid Cubic (m)	Skid Cubic (ft)	Ctns/Skid
765529W	662671760647	2	175	10662671760644	5.12	11.29	1.77	62.45	48

**Dimensions (Inches)**

Z1  
0.09



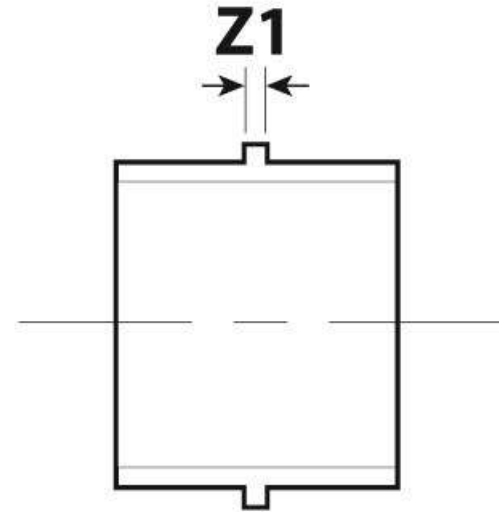


# SUBMITTAL SHEET

Part Description:  
PVC VAC WHITE SPIGOT

Part Number:  
765527W

Approvals and Listings maintained by:  
**Canplas Industries Ltd**  
Canada: 1-800-461-5300 USA: 1-888-461-5307



Part #	Part UPC	Ctn Qty	Ctn Bar Code	Ctn Wt (Kgs)	Ctn Wt (lbs)	Skid Cubic (m)	Skid Cubic (ft)	Ctns/Skid
765527W	662671762580	125	10662671762587	3.23	7.12	1.77	62.45	72

**Dimensions (Inches)**

Z1  
0.09

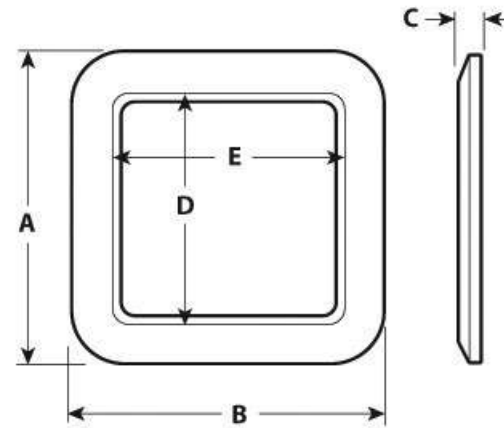


**SUBMITTAL SHEET**

Part Description:  
PVC VAC ES TRIM PLATE

Part Number:  
775588W

Approvals and Listings maintained by:  
**Canplas Industries Ltd**  
Canada: 1-800-461-5300 USA: 1-888-461-5307



Part #	Part UPC	Ctn Qty	Ctn Bar Code	Ctn Wt (Kgs)	Ctn Wt (lbs)	Skid Cubic (m)	Skid Cubic (ft)	Ctns/Skid
775588W	662671701305	165	10662671701302	3.12	6.88	1.77	62.45	72

**Dimensions (Inches)**

A	B	C	D	E
4.50	4.51	0.26	3.53	3.54

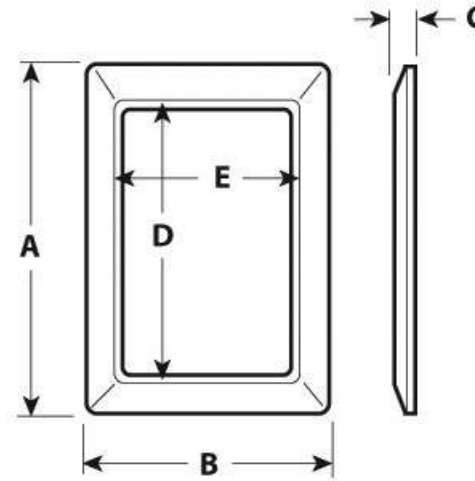


**SUBMITTAL SHEET**

Part Description:  
WHITE TRIM PLATE

Part Number:  
775589W

Approvals and Listings maintained by:  
**Canplas Industries Ltd**  
Canada: 1-800-461-5300 USA: 1-888-461-5307



Part #	Part UPC	Ctn Qty	Ctn Bar Code	Ctn Wt (Kgs)	Ctn Wt (lbs)	Skid Cubic (m)	Skid Cubic (ft)	Ctns/Skid
775589W	662671700469	150	10662671700466	3.78	8.33	1.77	62.45	72

**Dimensions (Inches)**

A	B	C	D	E
6.20	4.52	0.26	5.22	3.54

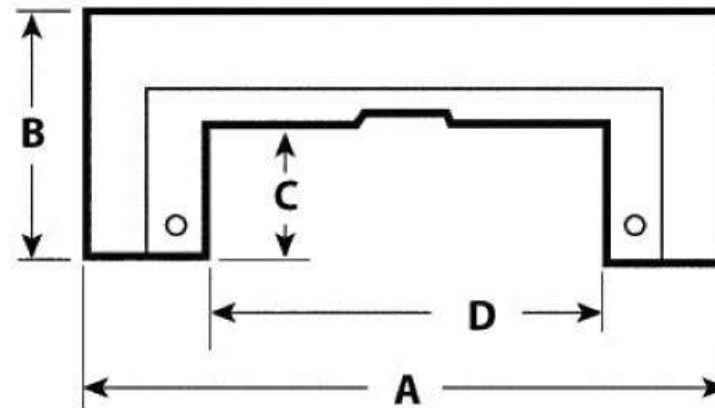


# SUBMITTAL SHEET

Part Description:  
VACUSWEEP TRIM PLATE

Part Number:  
845601W

Approvals and Listings maintained by:  
**Canplas Industries Ltd**  
Canada: 1-800-461-5300 USA: 1-888-461-5307



Part #	Part UPC	Ctn Qty	Ctn Bar Code	Ctn Wt (Kgs)	Ctn Wt (lbs)	Skid Cubic (m)	Skid Cubic (ft)	Ctns/Skid
845601W	662671771018	25	10662671771015	1.27	2.80	1.73	61.23	330

**Dimensions (Inches)**

A	B	C	D
10.54	4.02	2.31	6.84

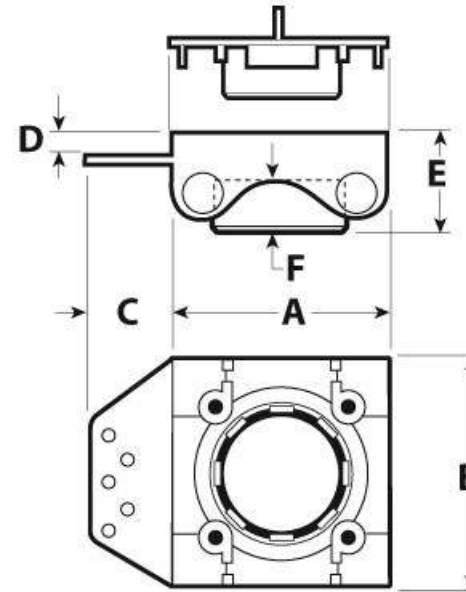


**SUBMITTAL SHEET**

Part Description:  
ES VLV MTGPLT/PLASTRGRD

Part Number:  
765569LW

Approvals and Listings maintained by:  
**Canplas Industries Ltd**  
Canada: 1-800-461-5300 USA: 1-888-461-5307



Part #	Part UPC	Ctn Qty	Ctn Bar Code	Ctn Wt (Kgs)	Ctn Wt (lbs)	Skid Cubic (m)	Skid Cubic (ft)	Ctns/Skid
765569LW	662671762474	60	10662671762471	4.41	9.72	1.77	62.45	72

**Dimensions (Inches)**

A	B	C	D	E	F
3.12	3.13	1.15	0.37	1.37	0.75

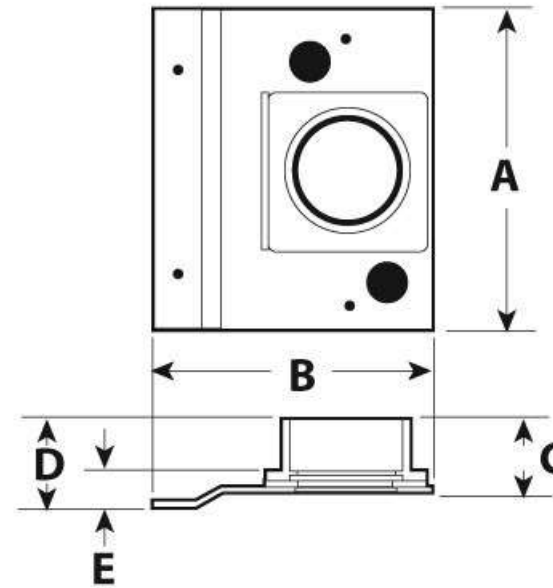


**SUBMITTAL SHEET**

Part Description:  
PVC VAC MTL MTG PLT W

Part Number:  
765565W

Approvals and Listings maintained by:  
**Canplas Industries Ltd**  
Canada: 1-800-461-5300 USA: 1-888-461-5307



Part #	Part UPC	Ctn Qty	Ctn Bar Code	Ctn Wt (Kgs)	Ctn Wt (lbs)	Skid Cubic (m)	Skid Cubic (ft)	Ctns/Skid
765565W	662671762788	64	10662671762785	6.30	13.89	1.77	62.45	72

**Dimensions (Inches)**

A	B	C	D	E
4.62	4.04	1.05	1.25	0.53

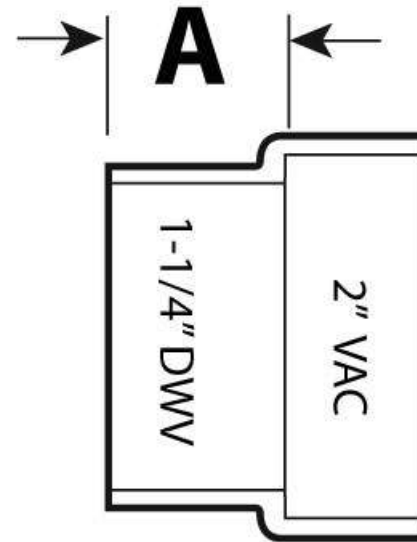


# SUBMITTAL SHEET

Part Description:  
PVC VAC 2 X 1.66 RED

Part Number:  
765531W

Approvals and Listings maintained by:  
**Canplas Industries Ltd**  
Canada: 1-800-461-5300 USA: 1-888-461-5307



Part #	Part UPC	Size (Inches)	Ctn Qty	Ctn Bar Code	Ctn Wt (Kgs)	Ctn Wt (lbs)	Skid Cubic (m)	Skid Cubic (ft)	Ctns/Skid
765531W	662671762597	2	90	10662671762594	2.39	5.27	1.77	62.45	144

**Dimensions (Inches)**

A  
0.93

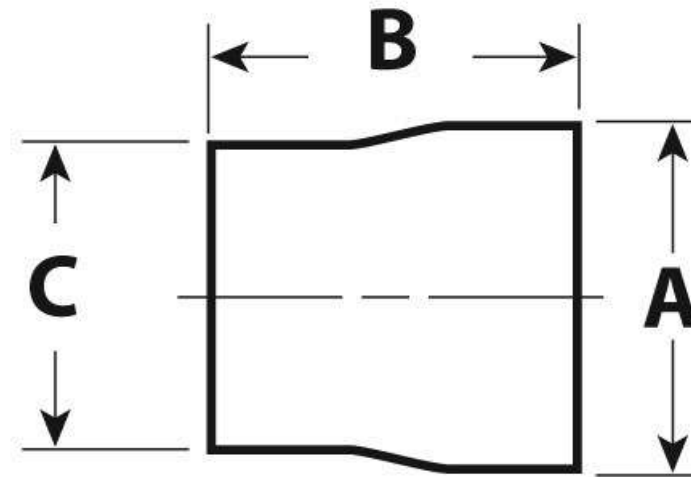


# SUBMITTAL SHEET

Part Description:  
PVC VAC W 2X1.825

Part Number:  
765532W

Approvals and Listings maintained by:  
**Canplas Industries Ltd**  
Canada: 1-800-461-5300 USA: 1-888-461-5307



Part #	Part UPC	Size (Inches)	Ctn Qty	Ctn Bar Code	Ctn Wt (Kgs)	Ctn Wt (lbs)	Skid Cubic (m)	Skid Cubic (ft)	Ctns/Skid
765532W	662671762610	2	135	10662671762617	5.34	11.77	1.79	63.37	72

**Dimensions (Inches)**

A	B	C
2.21	2.34	2.00



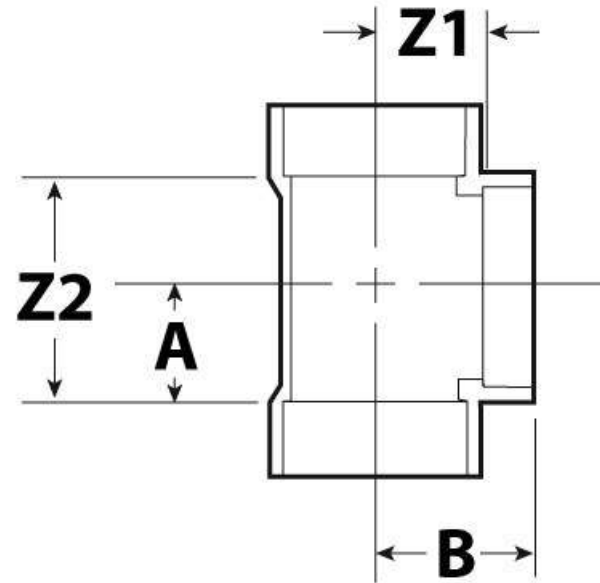


**SUBMITTAL SHEET**

Part Description:  
PVC VAC 2 SHORT TEE WHITE

Part Number:  
765502W

Approvals and Listings maintained by:  
**Canplas Industries Ltd**  
Canada: 1-800-461-5300 USA: 1-888-461-5307



Part #	Part UPC	Size (Inches)	Ctn Qty	Ctn Bar Code	Ctn Wt (Kgs)	Ctn Wt (lbs)	Skid Cubic (m)	Skid Cubic (ft)	Ctns/Skid
765502W	662671760111	2	90	10662671760118	6.81	15.01	1.77	62.45	32

**Dimensions (Inches)**

A	Z1	Z2
1.02	0.97	2.02

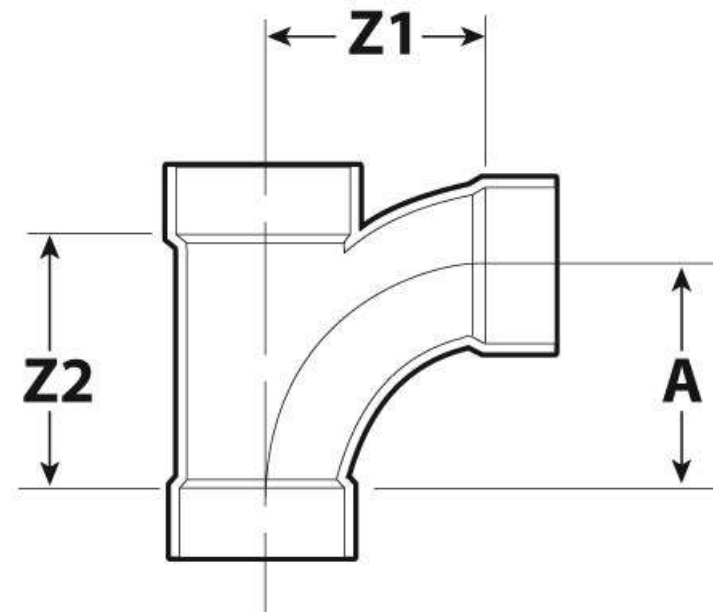


# SUBMITTAL SHEET

Part Description:  
PVC VAC 2 TEE WHITE

Part Number:  
765501W

Approvals and Listings maintained by:  
**Canplas Industries Ltd**  
Canada: 1-800-461-5300 USA: 1-888-461-5307



Part #	Part UPC	Size (Inches)	Ctn Qty	Ctn Bar Code	Ctn Wt (Kgs)	Ctn Wt (lbs)	Skid Cubic (m)	Skid Cubic (ft)	Ctns/Skid
765501W	662671760081	2	55	10662671760088	5.56	12.26	1.77	62.45	32

**Dimensions (Inches)**

A	Z1	Z2
2.53	2.51	3.08

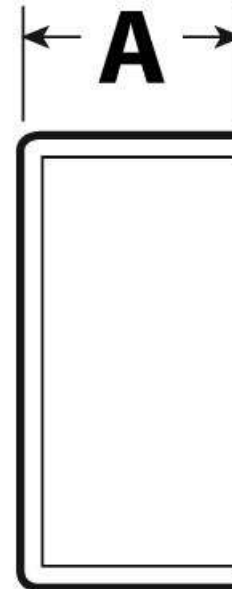


# SUBMITTAL SHEET

Part Description:  
PVC VAC WHT 2 CAP

Part Number:  
765547W

Approvals and Listings maintained by:  
**Canplas Industries Ltd**  
Canada: 1-800-461-5300 USA: 1-888-461-5307



Part #	Part UPC	Size (Inches)	Ctn Qty	Ctn Bar Code	Ctn Wt (Kgs)	Ctn Wt (lbs)	Skid Cubic (m)	Skid Cubic (ft)	Ctns/Skid
765547W	662671762238	2	250	10662671762235	4.98	10.98	1.77	62.45	72

**Dimensions (Inches)**

A  
0.85

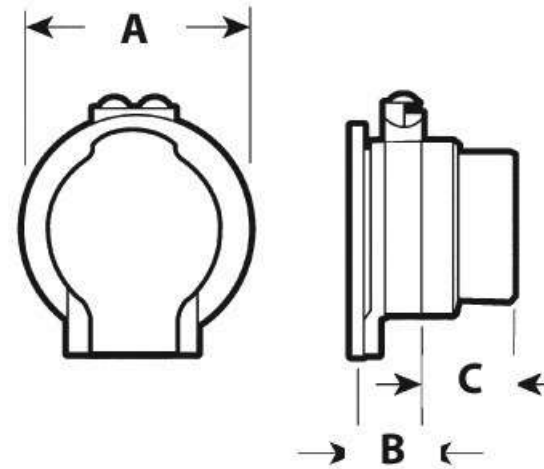


# SUBMITTAL SHEET

Part Description:  
UTILITY VALVE W/PIN

Part Number:  
775586W

Approvals and Listings maintained by:  
**Canplas Industries Ltd**  
Canada: 1-800-461-5300 USA: 1-888-461-5307



Part #	Part UPC	Ctn Qty	Ctn Bar Code	Ctn Wt (Kgs)	Ctn Wt (lbs)	Skid Cubic (m)	Skid Cubic (ft)	Ctns/Skid
775586W	662671701138	100	10662671701135	5.89	12.99	1.77	62.45	72

**Dimensions (Inches)**

A	B	C
2.77	1.11	1.88

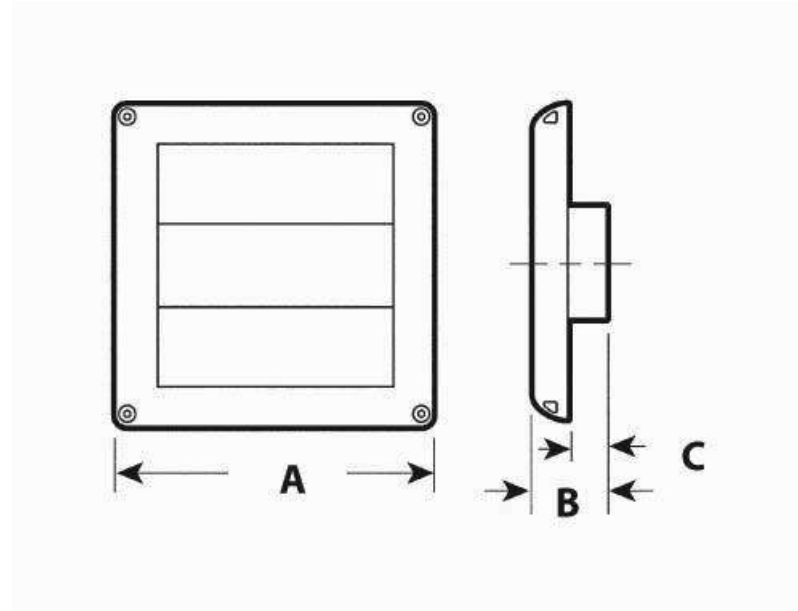
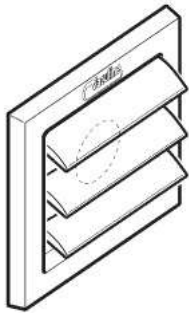


# SUBMITTAL SHEET

Part Description:  
PVC VAC 2 WHITE VENT

Part Number:  
765540W

Approvals and Listings maintained by:  
**Canplas Industries Ltd**  
Canada: 1-800-461-5300 USA: 1-888-461-5307



Part #	Part UPC	Size (Inches)	Ctn Qty	Ctn Bar Code	Ctn Wt (Kgs)	Ctn Wt (lbs)	Skid Cubic (m)	Skid Cubic (ft)	Ctns/Skid
765540W	662671760708	2	25	10662671760705	2.93	6.46	0	0	72

**Dimensions (Inches)**

Coming Soon

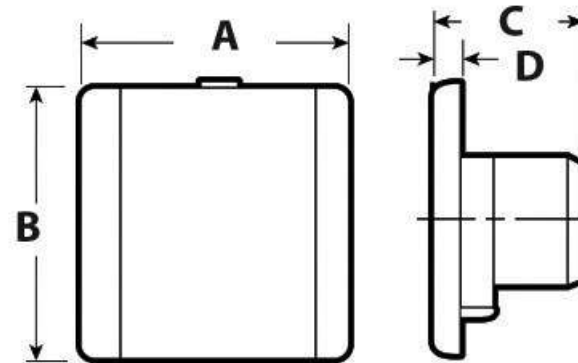


# SUBMITTAL SHEET

Part Description:  
VACUVALVE "ES" WHITE

Part Number:  
775592W

Approvals and Listings maintained by:  
**Canplas Industries Ltd**  
Canada: 1-800-461-5300 USA: 1-888-461-5307



Part #	Part UPC	Ctn Qty	Ctn Bar Code	Ctn Wt (Kgs)	Ctn Wt (lbs)	Skid Cubic (m)	Skid Cubic (ft)	Ctns/Skid
775592W	662671701169	48	10662671701166	3.42	7.54	1.77	62.45	72
<b>Dimensions (Inches)</b>								
A	B	C	D	E				
3.51	3.51	1.82	1.62	0.39				

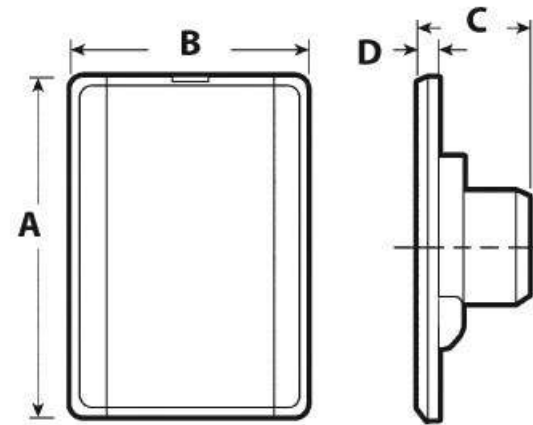


# SUBMITTAL SHEET

Part Description:  
WHITE INLET VALVE

Part Number:  
775590W

Approvals and Listings maintained by:  
**Canplas Industries Ltd**  
Canada: 1-800-461-5300 USA: 1-888-461-5307



Part #	Part UPC	Ctn Qty	Ctn Bar Code	Ctn Wt (Kgs)	Ctn Wt (lbs)	Skid Cubic (m)	Skid Cubic (ft)	Ctns/Skid
775590W	662671700346	32	10662671700343	3.54	7.80	1.77	62.45	72
Dimensions (Inches)								
A	B	C	D	E				
5.21	3.52	1.79	1.62	0.39				

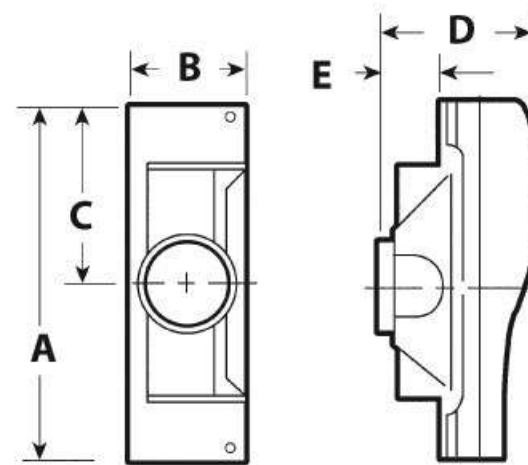


# SUBMITTAL SHEET

Part Description:  
VACUSWEEP SWEEP INLET

Part Number:  
845600W

Approvals and Listings maintained by:  
**Canplas Industries Ltd**  
Canada: 1-800-461-5300 USA: 1-888-461-5307



Part #	Part UPC	Ctn Qty	Ctn Bar Code	Ctn Wt (Kgs)	Ctn Wt (lbs)	Skid Cubic (m)	Skid Cubic (ft)	Ctns/Skid
845600W	662671770974	12	10662671770971	2.98	6.57	1.62	57.33	36
<b>Dimensions (Inches)</b>								
A	B	C	D	E				
8.45	2.65	4.22	3.50	1.73				



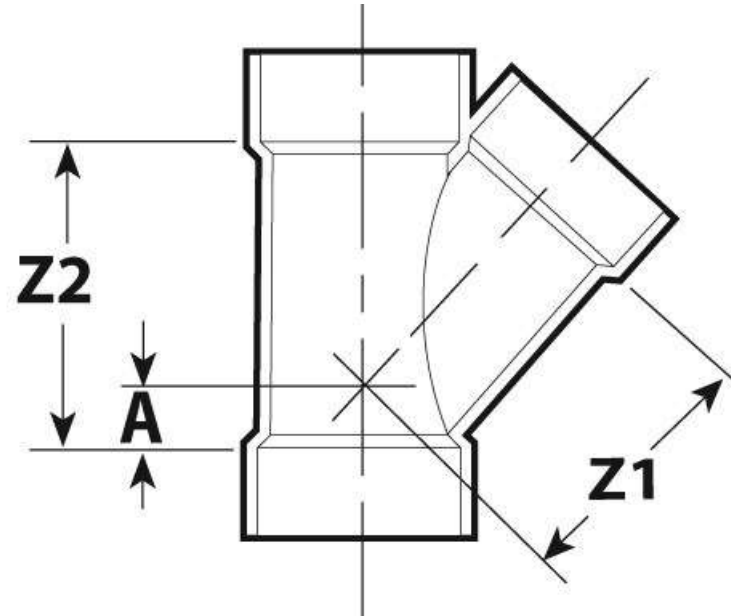


**SUBMITTAL SHEET**

Part Description:  
PVC VAC 2 45DEG WYE WHITE

Part Number:  
765525W

Approvals and Listings maintained by:  
**Canplas Industries Ltd**  
Canada: 1-800-461-5300 USA: 1-888-461-5307



Part #	Part UPC	Size (Inches)	Ctn Qty	Ctn Bar Code	Ctn Wt (Kgs)	Ctn Wt (lbs)	Skid Cubic (m)	Skid Cubic (ft)	Ctns/Skid
765525W	662671760593	2	60	10662671760590	5.88	12.96	1.77	62.45	32

**Dimensions (Inches)**

A	Z1	Z2
0.46	2.47	3.00