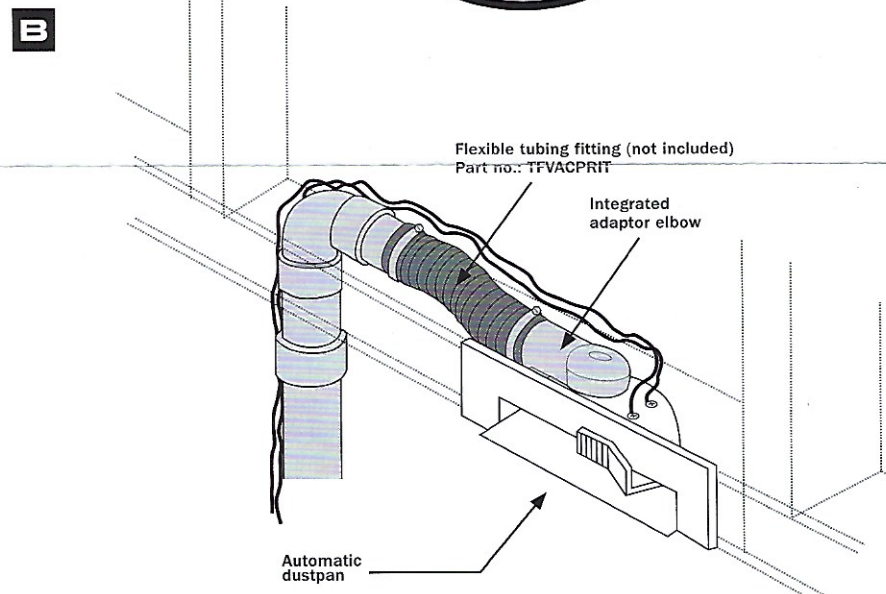
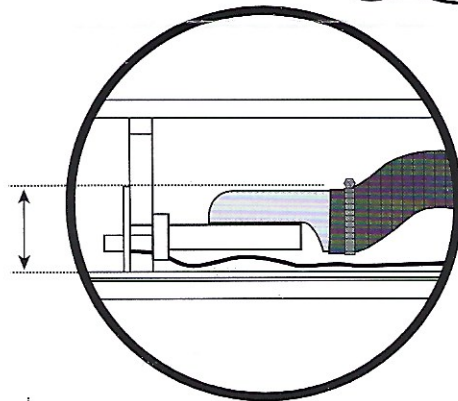
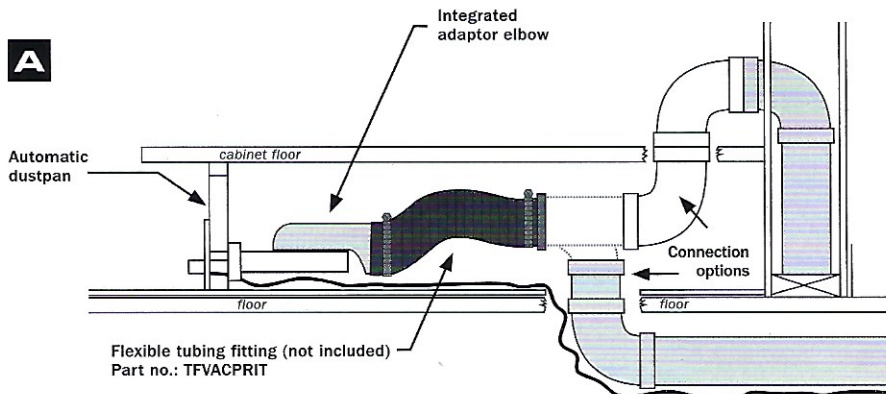


Automatic Dustpan

Installation Instructions

General Recommendations

- First determine the appropriate place to install your automatic dustpan for central vacuum systems. Ideally, it should be installed in a place where you have easy access to the piping system and where you frequently use your broom.
- The lower edge of the automatic dustpan must sit flush with the floor so to avoid that swept debris end up between the floor and the dustpan.



Under a cabinet (A)

1. Determine the location of the dustpan. Its installation requires a surface with a minimum height of 2.6 in (66 mm).
2. Cut a 6.5 in (165 mm) long and 2.125 in (54 mm) to maximum 2.25 in (57 mm) high slot in the cabinet toe kick.
3. Ensure the access to the main piping line and run the piping system fittings and low voltage wires to the location of the dustpan:

Access from below:

If you have access to the piping line from below, cut an access opening in the subfloor under the cabinet.

Access through the cabinet floor:

Cut a 2.75 in (70 mm) long and 3.5 in (89 mm) high slot in the cabinet floor.

4. Through the opening cut in the toe kick board (step 2), pull out the low voltage wires of the main piping system and connect them to the automatic dustpan low voltage connectors.
5. To facilitate the installation, you may use a flexible tubing fitting to connect the piping system to the dustpan's adaptor elbow.
6. Slide the automatic dustpan in the slot (see step 2), and screw it in the toe kick board

In a wall (B)

The automatic dustpan can be installed inside walls, between studs.

1. Determine the location of the dustpan, and cut a 6.5 in (165 mm) long and 2.125 in (54 mm) to maximum 2.25 in (57 mm) high slot in the wall and baseboard.
2. Ensure the access to the main piping line and run the piping system fittings and low voltage wires to the location of the dustpan:

Access from below:

Cut an access opening in the subfloor under the wall, between two studs.

3. Through the opening cut in the bottom of the wall (step 1), pull out the low voltage wires of the main piping system and connect them to the automatic dustpan low voltage connectors.
4. To facilitate the installation, you may use a flexible tubing fitting to connect the piping system to the dustpan's adaptor elbow.
5. Slide the automatic dustpan in the slot (see step 1), and fix it with the two screws provided.

NB: The connection of the adaptor elbow to the piping system must be performed on the left side of the automatic dustpan.